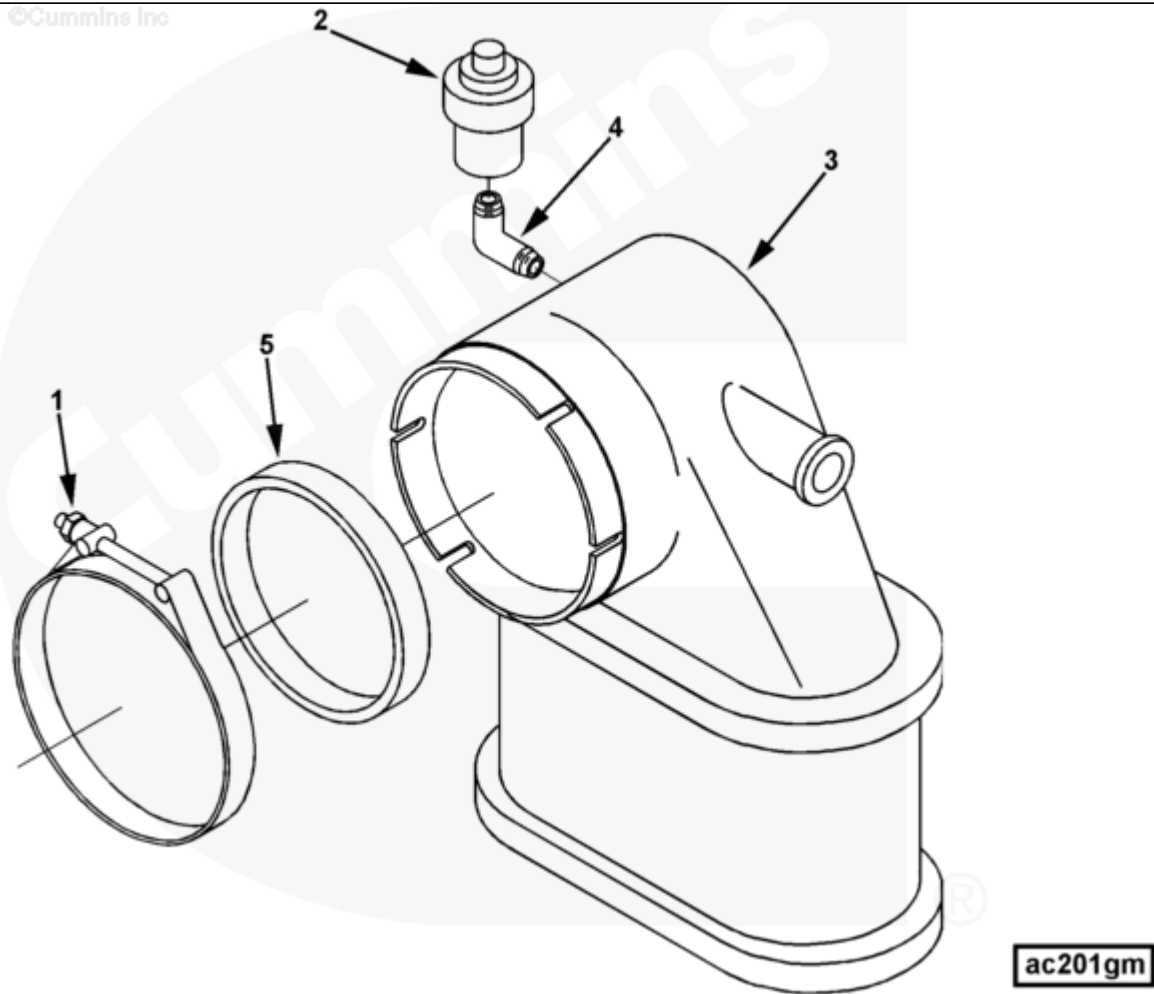




## Parts Catalog - Option Detail

Electronic Parts Catalog - Option Detail				
Option	Group	Graphic	Film Card	Date
AC2033-03	10.04	ac201gm	II	06-APR-03
<b>Engines</b>	ISM CM570, ISM CM570/870, ISM CM875, ISM CM876, ISM CM876 E, ISM11 CM876 M103, ISM11 CM876 SN, M11 CELECT, M11 CELECT PLUS, M11 MECHANICAL, QSM11 CM570, QSM11 CM876			



SMALL | MEDIUM | LARGE

Cart	Ref No	Part Number	Part Description	Required	Remarks
<a href="#">View My Cart</a>					
		<a href="#">AC2033-03</a>	Air Cleaner		
					Air Cleaner
					Air Cleaner Supplier:
					Cummins

					Manuf/Model: Racor
					Must Use W/Closed Crankcase
					Breather System
					Duty Rating: Heavy
					Mtg Brkt Supply Method:
					Mounted
					Mtg Brkt Loc: Above Flywheel
					Housing
					Plumbing Supplier: Cummins
					Filter Disposition:
					Disposable
					Includes Conn Provision:
					Closed Crankcase Breather
					System, Restriction Indicator
<input type="checkbox"/>	1	<a href="#">3040878</a>	T-Bolt Clamp	1	5 3/4 inch
		<a href="#">4070041</a>	Air Cleaner	1	
<input type="checkbox"/>	2	<a href="#">C0140200800</a>	Restriction Indicator	1	
<input type="checkbox"/>	3	<a href="#">4070042</a>	Air Cleaner	1	
<input type="checkbox"/>	4	<a href="#">4070044</a>	Male Adapter Elbow	1	1/8 NPTF x 1/8 NPTF (90 deg)
<input type="checkbox"/>	5	<a href="#">3959072</a>	Dust Seal	1	
<input type="checkbox"/>		<a href="#">4089303</a>	Air Cleaner Assembly Kit	1	
<input type="checkbox"/>		<a href="#">3959072</a>	Dust Seal	1	
<input type="checkbox"/>		<a href="#">4070042</a>	Air Cleaner	1	